

MegaPOS Lite

15" Value Fanless Touch Terminal

Fanless, efficient and cost-effective.

MegaPOS Lite can be adapted to suit any environment.

MegaPOS Lite is a high performance, cost-effective, fanless PoS terminal which is fully equipped with all of the essential features needed to get you going quickly.

As your point-of-sale system needs evolve, MegaPOS Lite supports a range of add-on peripherals which allow you to expand the terminal to respond to different or changing business needs.

Features



Integrated Customer Display

Customer display is integrated on the console eliminating the need to purchase a pole display.



Rear Cover for Cable Management

Cabling for power cord and peripherals is hidden beneath the terminal keeping it out of sight and saving counter space.



Front I/O Panel

Front I/O makes it easy for USB driver upload and peripheral connection.



Box EPOS

Box Technologies offers a wide range of integrated and modular EPOS Systems. This extensive range of systems has been designed and manufactured specifically with reliability, power and flexibility in mind.

I/O Ports

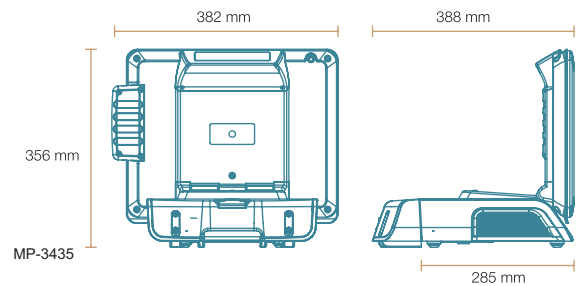
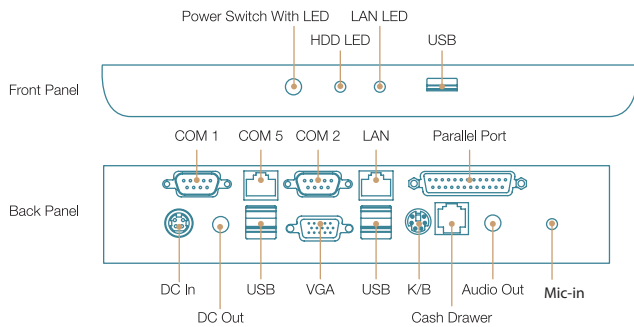
MegaPOS Lite features a rich I/O interface designed to ensure maximum functionality.

Serial Ports	3 x Internal: COM6 (LCM), COM3, COM5 (Reserved) 3 x External: COM1, COM2 (DB9), COM4 (RJ-45)
USB Port	4 x Internal (1 MSR, 3 Reserved), 5 x External (4 Rear, 1 Front)
Cash Drawer Port	1 x RJ11 (12V)
Printer Port	1 x Bi-directional Parallel port
LAN Port	1 x RJ45 Gigabit
VGA Port	1 x VGA (HDI5)
Keyboard / Mouse	1 x PS/2
Audio	1 x Line-out, 1 x Mic-in
DC Output	1 x 12V DC Jack 2.5mm
PCI Slot	1 x PCI-e (Internal)

Optional Peripherals

MegaPOS Lite can be enhanced with the inclusion of optional peripherals designed to cater to a range of requirements.

Magnetic Stripe Card Reader	Integrated MCR Module (Single / Dual / Triple Track Selectable)
2-in-1 / 3-in-1 Module	Integrated MCR + i-Button / MCR + RFID / MCR + Fingerprint / MCR + Smartcard + i-Button
Wireless LAN	Integrated 802.11 b/g/n Wireless Module
Identification Devices	RFID 13.56 MHz / Fingerprint Reader / i-Button
2nd Display	Integrated 12.1" / 15" Pole-type LCD Display (Touch Screen Optional)
Customer Display	Integrated in LCM or VFD / LCM Pole-type Customer Display
2nd Storage Device	SATA DOM



Technical Specifications

Display size / resolution	15" TFT-LCD/ 1024 X 768
Display brightness & touch screen	250 cd/m ² (CCFL), 330 cd/m ² (LED) - 5 Wire Resistive
Processor	Intel® Atom™ D525, 1M L2 Cache 1.8Ghz
System memory	1GB Standard, Maximum 4GB (1x204-pin DDR3)
Storage device	1 x 2.5" SATA HDD 320GB*
Chipset	Intel® GMA 3150
Speaker	Internal Speaker 2W x 2
Construction	ABS + SECC
Housing colour	Charcoal + Silver
Power supply	90W (12V/7.5A) External Power Adaptor
Operating system	Windows XP, POSReady 2009, Windows 7, POSReady 7, Ubuntu 8.04 LTS
Unit Dimensions (W x H x D)	382 x 356 x 388 mm

*specification as of November 2012. All specifications subject to change.

Environment

EMI / Safety	CE, FCC Class A
Operating Temperature	0°C - 40°C (32°F - 104°F)
Storage Temperature	-10°C - 55°C (14°F - 131°F)
Relative Humidity	10% - 90% (Non-condensing)